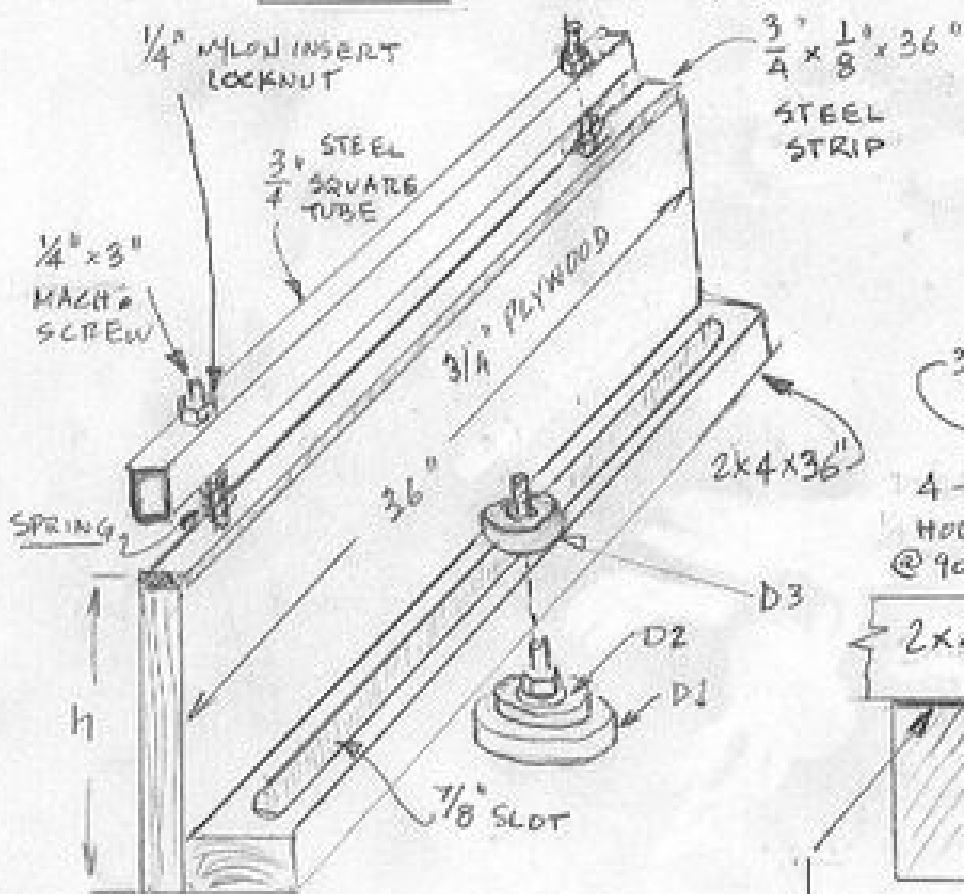


FIG. 1 - SUPPORT STRUCTURE



h = distance from lathe bed to center of headstock drive

FIG. 2.

D1-2-3 DETAIL

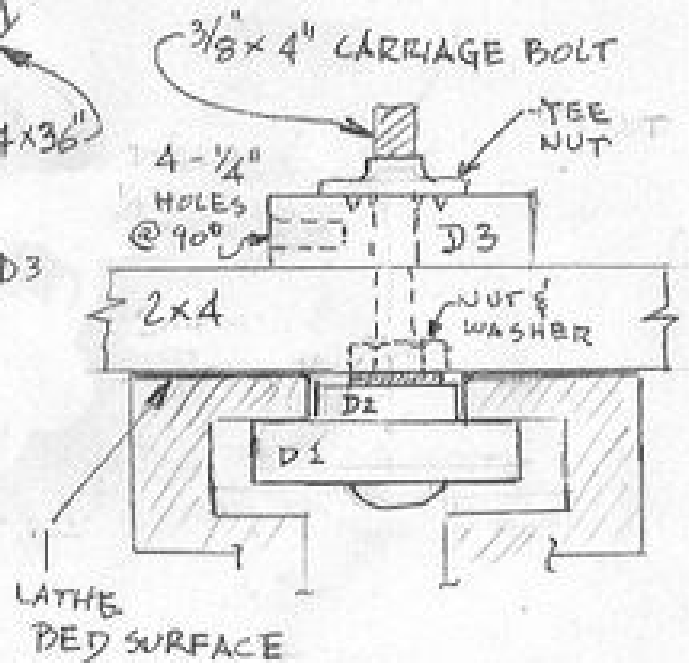


FIG. 3 - OUTRIGGER

