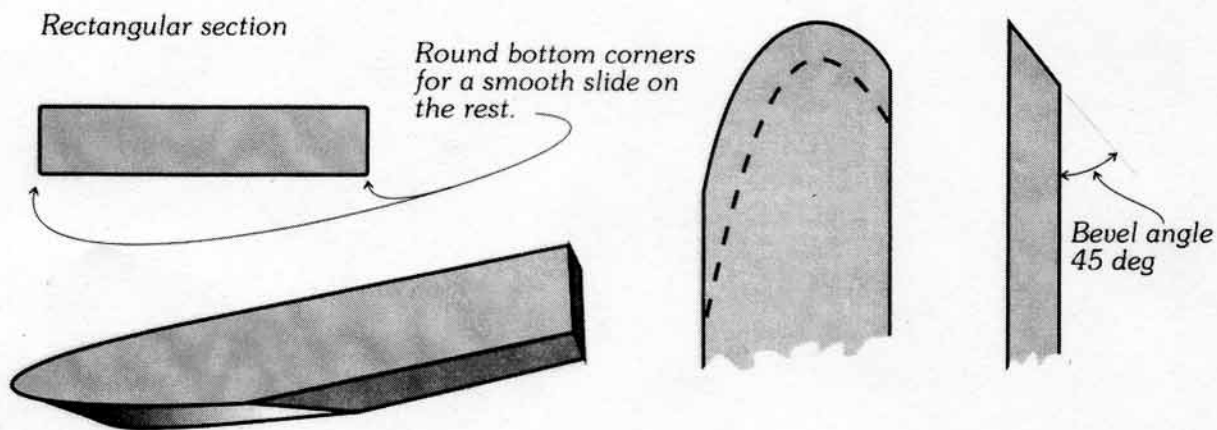


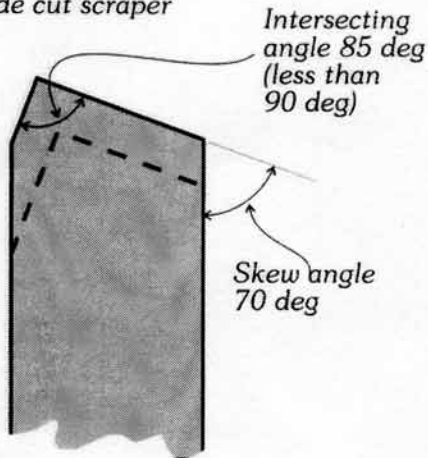
TOOLS OF THE TRADE - SCRAPERS

LEFT HAND CURVED, SIDE CUT SCRAPER

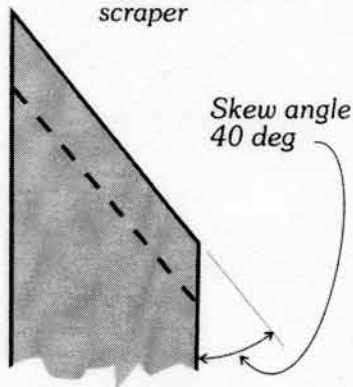


OTHER USEFUL SCRAPER SHAPES

Left skew square side cut scraper

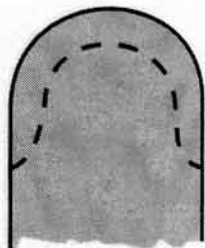


Right hand skew scraper

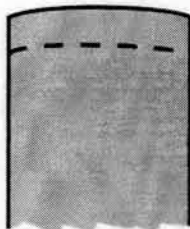


Opposite handed scrapers also useful

Half round scraper



Slightly domed scraper



Recommended handle lengths	
Scraper width	handle Length
2"	24"
1 1/2"	18"
1"	14"
3/4"	12"
1/2"	10"
1/4"	9"

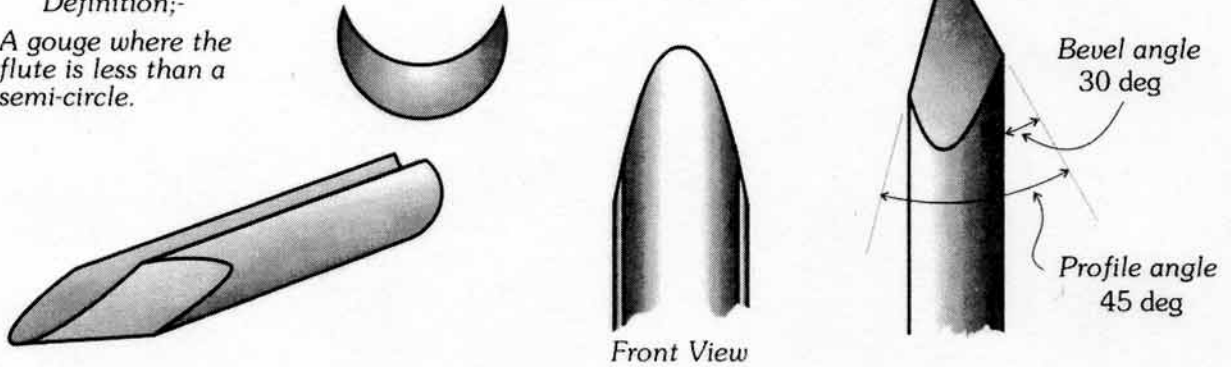
TOOLS OF THE TRADE - GOUGES

SHALLOW FLUTED GOUGE

Detail Grind

Definition:-

A gouge where the flute is less than a semi-circle.

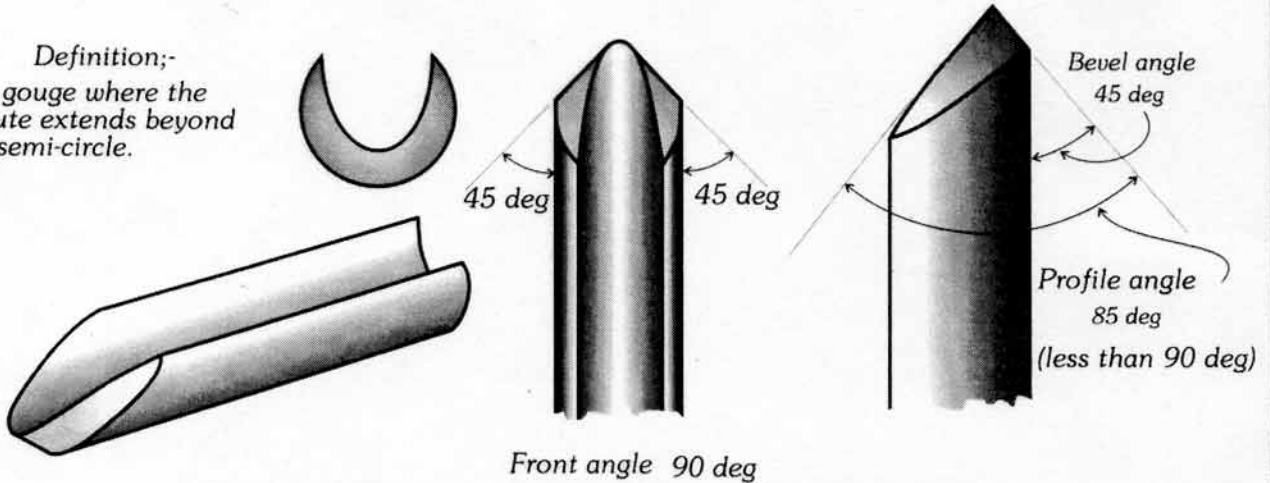


DEEP FLUTED GOUGE

(The "O'Donnell Grind")

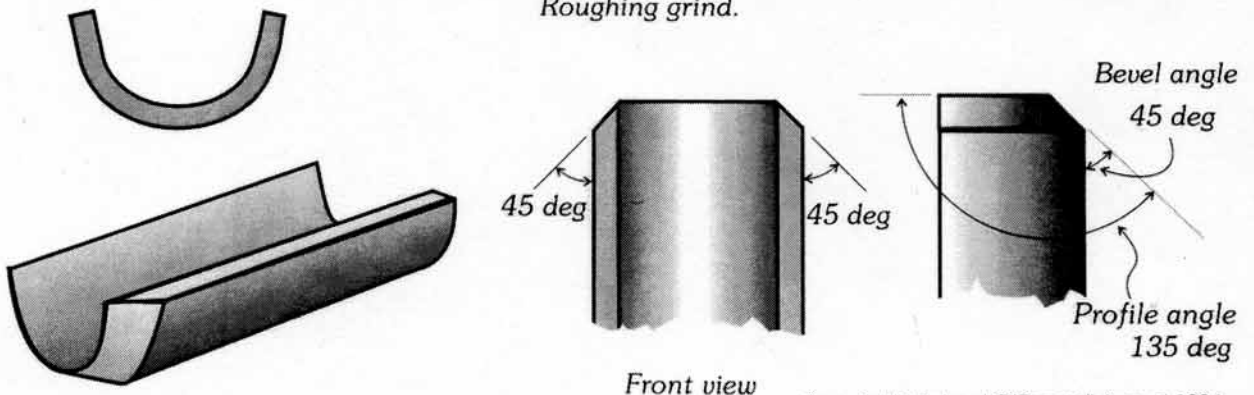
Definition:-

A gouge where the flute extends beyond a semi-circle.



SPINDLE ROUGHING GOUGE.

Roughing grind.



WOODTURNING TOOLS OF THE TRADE

SKEW CHISEL

Rectangular section



Oval section



Round all corners for a smooth slide on the rest

Straight edge

Skew angle 60 deg

Curved edge

Average skew angle 60 deg

Profile angle 30 deg

Bevel angles 15 deg

Rectangular section

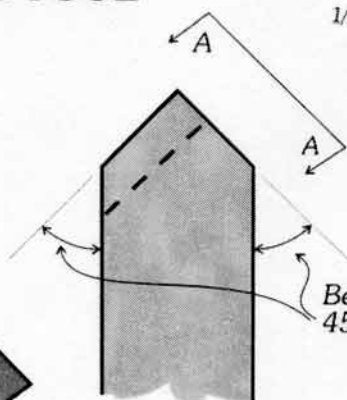


Round bottom corners for a smooth slide on the rest

PARTING TOOL

Fluted on the corner of the grindstone

View 'A-A'



1/8"

Bevel angles 45 deg

Rectangular section



Round all corners for a smooth slide on the rest

SIZING TOOL

1/8" to 3/16"

Bevel angles 45 - 30 deg